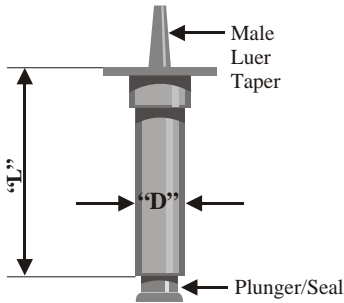
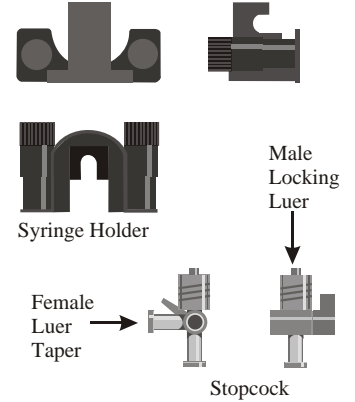


Standard Pumps Syringes and Valves

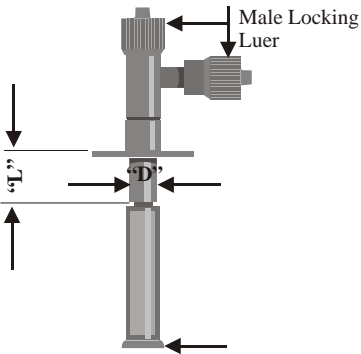
Diluent



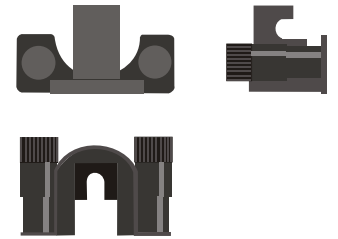
Size	Length	Diameter
500µL	1.2 ± .10 (30.5 mm) ± (2.5 mm)	.450 (11.4 mm)
2mL	1.8 ± .10 (45.7 mm) ± (2.5 mm)	.450 (11.4 mm)
5mL	1.8 ± .10 (45.7 mm) ± (2.5 mm)	.645 (16.4 mm)
10mL	1.8 ± .10 (45.7 mm) ± (2.5 mm)	.870 (11.4 mm)



Dual Port Sample

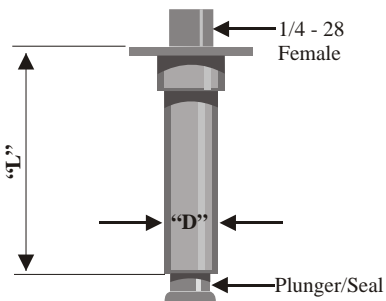


Size	Length	Diameter
50µL	.5 ± .10 (12.7 mm) ± (2.5 mm)	.273 (6.9 mm)
250µL	.5 ± .10 (12.7 mm) ± (2.5 mm)	.273 (6.9 mm)



Syringe Holder

Single Port Sample



Size	Length	Diameter
250µL	1.2 ± .10 (30.5 mm) ± (2.5 mm)	.273 (6.9 mm)
500µL	1.2 ± .10 (30.5 mm) ± (2.5 mm)	.450 (11.4 mm)
2mL	1.8 ± .10 (45.7 mm) ± (2.5 mm)	.450 (11.4 mm)
5mL	1.8 ± .10 (45.7 mm) ± (2.5 mm)	.645 (16.4 mm)
10mL	1.8 ± .10 (45.7 mm) ± (2.5 mm)	.870 (22.1 mm)



Syringe Holder