

Statline

OEM Requirements

200 unit minimum order

100 unit minimum per shipment

Customization is available on below options. A one-time setup charge may apply for each customized area selected.

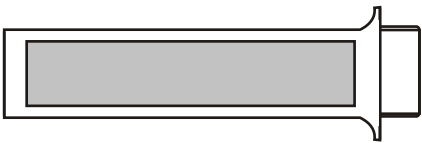
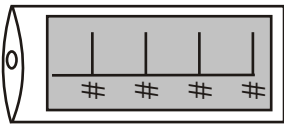
1. Style

Fixed Volume

Adjustable Volume

2. Instructions

3. Pad Printing

Body	Knob
	
<p>Print Area .40 x 2.50 in. 10 x 63 mm.</p>	<p>Print Area .37 x 1.375 in. 9 x 35 mm.</p>

4. Pad Printing Ink Color

5. Labels

Unit Box/Bag

Master Box