

# StatMatic I

## 8-channel Microplate Dispenser

### OEM Requirements

200 unit minimum order

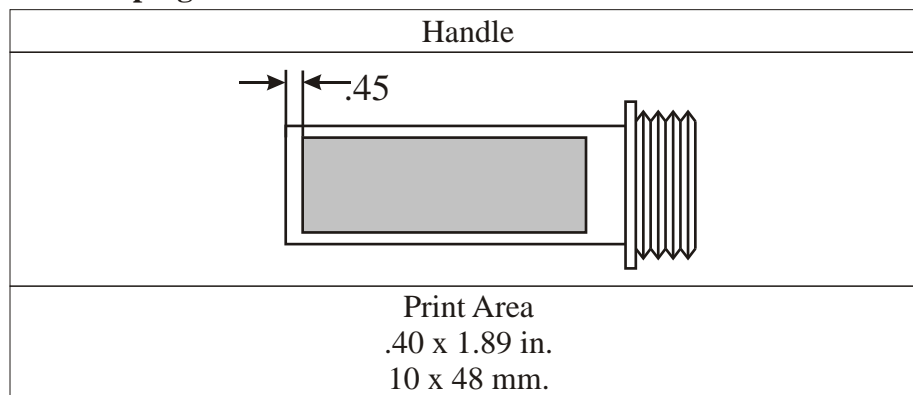
25 unit minimum per shipment

Customization is available on below options. A one-time setup charge may apply for each customized area selected.

1. **Inlet Length**
2. **Outlet Length**
3. **Instructions**
4. **Unit Color**

Tan	Gray/Teal
-----	-----------

### 5. **Hot Stamping**



### 6. **Hot Stamping Ink Color**

#### 7. **Labels**

Unit Box

Master Box

### 8. **Bottle Adapters**