

# StatMatic II

## 8-channel Microplate Dispenser

### OEM Requirements

200 unit minimum order

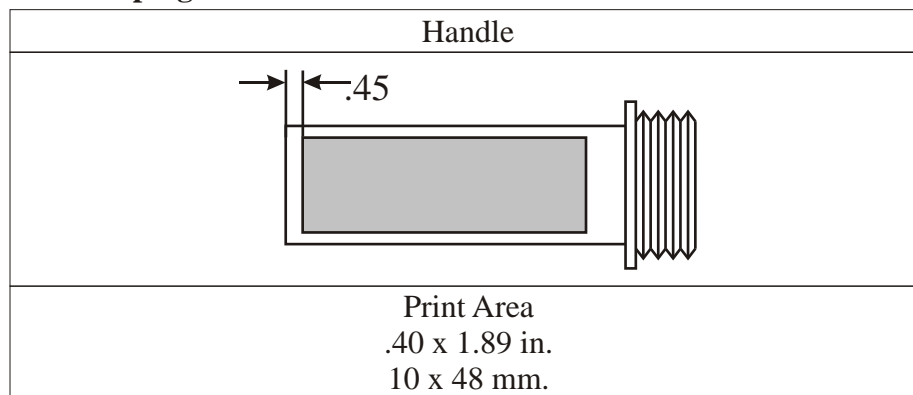
25 unit minimum per shipment

Customization is available on below options. A one-time setup charge may apply for each customized area selected.

1. **Inlet Length**
2. **Manifold @ Outlet**
3. **Instructions**
4. **Unit Color**

|         |           |
|---------|-----------|
| Tan/Tan | Gray/Teal |
|---------|-----------|

### 5. **Hot Stamping**



### 6. **Hot Stamping Ink Color**

### 7. **Labels**

Unit Box

Master Box

### 8. **Bottle Adapters**