

Absoluter

OEM Requirements

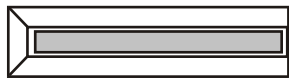
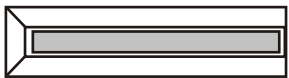
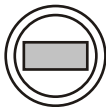
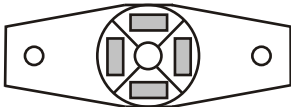
100 unit minimum order

25 unit minimum per shipment

Customization is available on below options. A one-time setup charge may apply for each customized area selected.

1. Instructions

2. Pad Printing

Side A	Side B	Knob (Fixed Volume)	Cap (MultiRange)
			
Print Area 1.4 x .080 in. 35.6 x 2.0 mm.	Print Area 1.4 x .080 in. 35.6 x 2.0 mm.	Print Area .280 x .080 in. 7.1 x 2.0 mm.	Print Area .200 x .080 in. 5.0 x 2.0 mm.

3. Pad Printing Ink Color

4. Labels

Unit Box

Master Box

Piston Tray

Capillary Bag/Vial

5. Optional Accessories

Spare Pistons

Spare Capillaries

Verifiers